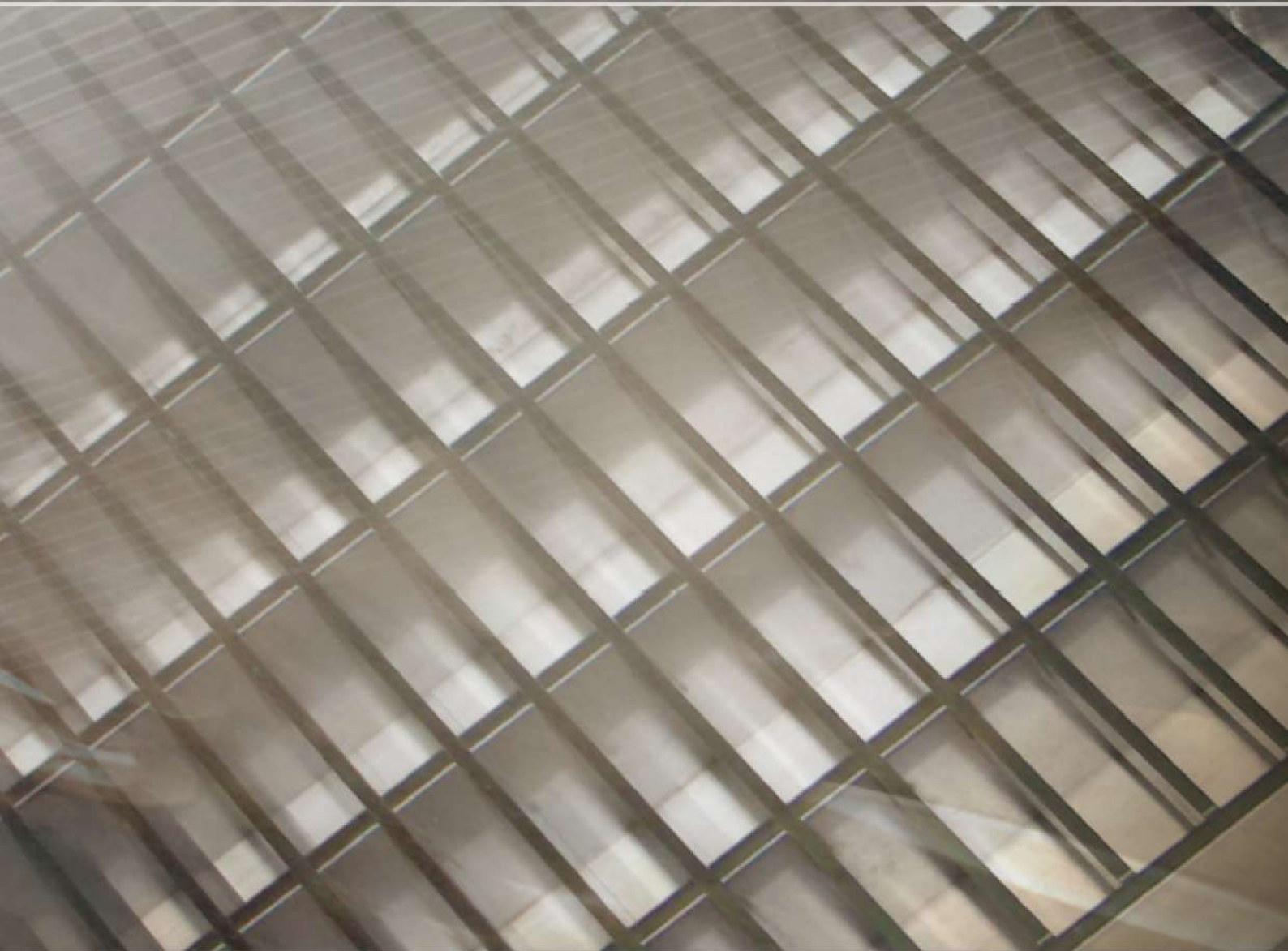


SLIM LINE  PROFILE GRATING



Grate Solutions



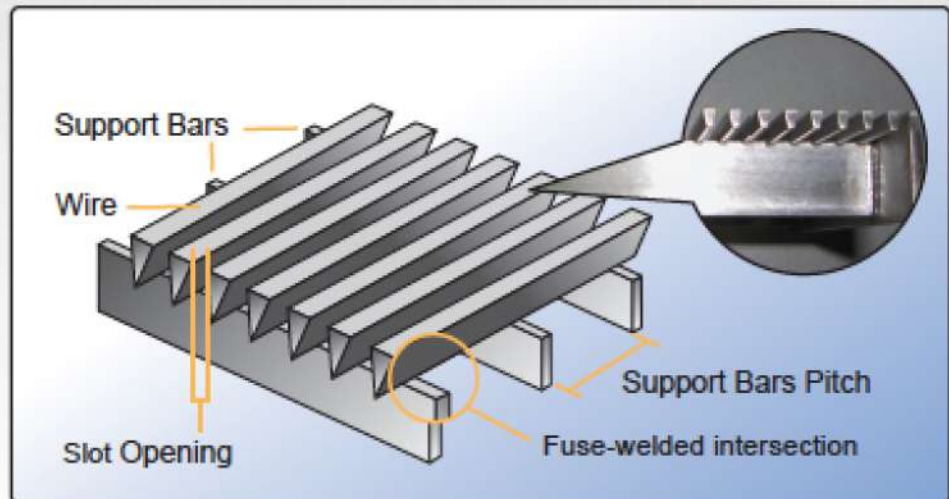
SLIM LINE PROFILE GRATING

Features:

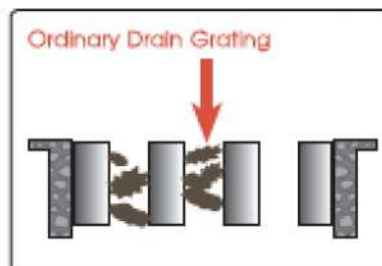
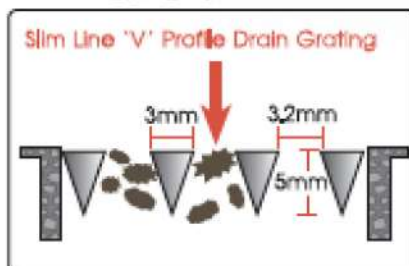
Slim Line 'V' Profile stainless steel grating is fabricated from grade - 304 or 316 stainless steel material using 3 x 5 mm with 10 degrees reflected angle 'V' profile wires, welded to support bars by electronic fusion at 3.2 mm slot opening.

Applications:

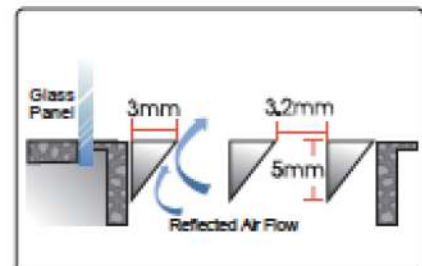
- Floor Trap Grating
- Trench Drain Grating
- Scupper Drain Grating
- Doormat
- Sump/Pit Grating
- Swimming Pool Grating
- Air Grille
- Light Diffuser
- Architectural Screen



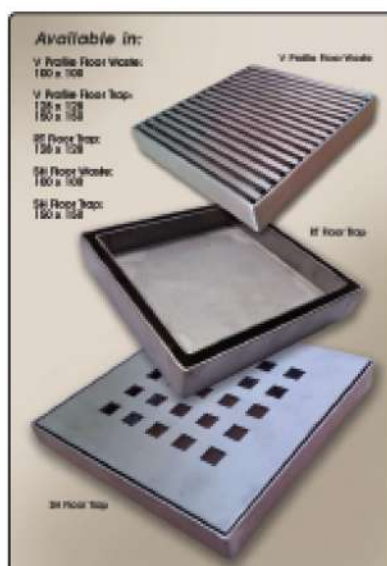
Non-Clogging Aperture



Floor Mounted Air Grille Profile



Floor Trap/Floor Waste Grating: For that Distinctive and Elegant Appearance



Slim Line 'V' profile stainless steel floor trap grating is designed for efficiency, durability and easy installation.

Its "open" grate area offers the best solution for maximum drainage flow and yet the closeness of the gap between the 'V' profile wires can prevent small objects such as earrings / rings from going into the sewer. It is highly recommended for use in homes to give that distinctive and elegant appearance and for its practical benefits.

Tests conducted by PSB Corporation has shown that Slim Line 'V' profile 150 x 150mm floor trap grating can withstand a load of 1500 (kgf) before physical failure. Hence, it is very suitable in areas where gratings are subjected to trolley wheel loads, heavy-duty/rough usage and vandalism. It offers a preventive and an economical solution to common problems of having to replace missing or damaged grate covers associated with the use of ordinary PVC or common steel gratings.

To prevent mosquito breeding in the water seal of the floor trap, it is recommended that an anti-mosquito device be provided.

CUSTOM DESIGNS TO FIT A VARIETY OF APPLICATIONS

Catering Venues: Hygienic, Safe and Economical



Slim Line 'V' profile stainless steel gratings have been developed for all purposes where corrosive, hot liquids or oils are in use.

Common examples will be for:

Kitchen centres, butcheries, canteens and bakeries as well as food and chemical industries, Slim Line 'V' profile stainless steel gratings therefore offer numerous variations to suit your individual drainage needs.

Internal/External Drain: Safe, Self-Cleaning and Easy Maintenance



Slim Line 'V' profile stainless steel grating with its 3.2 mm gap between the 'V' profile wires, is easily the best and safest for comfortable walking in areas of heavy pedestrian use. The 'V' profile wires are evenly spaced thereby providing safe support for high heels, canes, wheelchairs, crutches and other walking aids.

The self-cleaning design makes regular maintenance effortless. With the continuous non-clogging aperture, most unwanted dirt is kept off thus reducing drainage chokes. The 'V' profile wire which is flat on top produces an expanding slot below which safeguards the grating from being clogged by fine particles.

Doormat: Permanent, Durable and Practical



Regardless of public buildings such as administrative/municipal offices, commercial buildings such as banks, industrial buildings or private buildings, doormats at entrance areas have always come up to extreme demands.

Therefore, with Slim Line 'V' profile grating, it provides:

- Permanent use
- Dirt rubbed off constantly
- Practicability



Spacious dust trap zones at the entrances reduce cost intensive and labour intensive cleaning actions.

Used as doormats at entrances of public buildings, they generally provide a "clean feel" to the whole building itself, thereby providing a whole new dimension to the aesthetic ambience of the surrounding environment.

Other Stainless Steel Grating Designs:



Trench Grating 33 x 11



Trench Grating 33 x 33



Hinged Access Trench Grating



'V' Profile Tree Grating



1 SUNGEI KADUT CRESCENT SINGAPORE 728684

TEL: (65) 6747 0200 FAX: (65) 6747 9877

website: www.bedecsteelgrate.com e-mail: sales@bedecsteelgrate.com

Co Reg No: 201004887D

Associate Company:

Bedec Pte Ltd
System Formwork Specialist

